

RLG-632D 632nm Detector for Ring laser gyro



FOGPhotonics,inc

one Idealphotonics company



Features

- High sensitivity, high signal-to-noise ratio
- Micro magnetic metal materials
- Small volume, light weight
- ITAR Free
- Different Quality levels: Aerospace,military
- Low working power supply

Products Guide

FOG Components

IMU Systems

FOG Devices

RLG Devices

FOG Instruments

Application

- Ring laser gyro
- Visible light detection
- Tactical missile guidance
- Flight controls
- RLG IMU systems
- Gyro compassing

2016 NEW VERSION

Description



RLG-632D the light detector is designed by fogphotonics,inc.It is ideal detector for Ring laser gyro light detection.The small package and light weight is easy to integrated into the ring laser gyro system.Also this device is ITAR free.We can provide the detctor for the customer from all over the world.We provide different grades products for customer from different application.We provide the aerospace grade and military grade,Commercial grade.And this ring laser gyro detector is sensitivity and have a high signal-to-noise ratio.And we use the Micro magnetic metal materials to produce the RLG-632D.

Specification

Maximum Rating

Parameter	Symbol	Maximum Rating	Unit
Positive power	V _{cc}	+18	V
Operation temp	T _{amb}	-55~+85	mA
Store temp	T _{stg}	-55~+100	°C
Power consumption	P	200	mW

Recommend Operation condition

Parameter	Symbol	Maximum Rating	Unit
Positive power	V _{cc}	+15	V

Technical Parameter (T_A=23°C, V_{cc}=+15V, λ = 650nm)

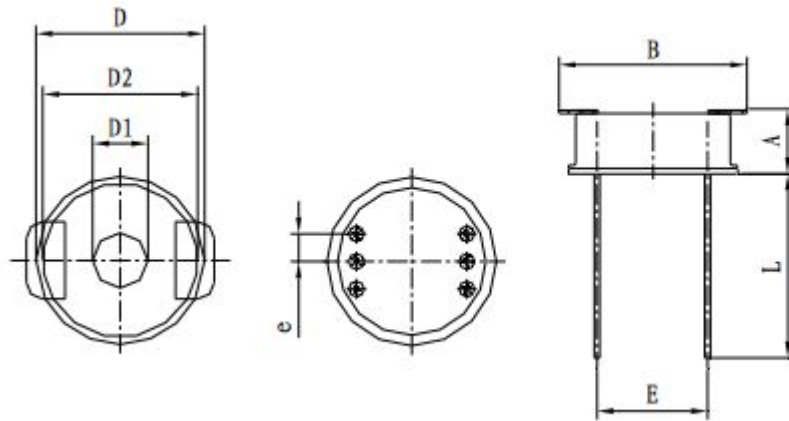
Parameter	Testing Condition	Values	Unit	
Output Peak power	Φ _e =5μW	f=0.1kHz	≤0.18U _h ^{a)}	V
		f=1kHz	1.5~3.0	
		f=10kHz	≤0.18U _h ^{a)}	
		f=100kHz	≤0.10U _h ^{a)}	
		f=800kHz	≤0.01U _h ^{a)}	
RMS noise voltage	Φ _e = 0, V _{cc} =15V	≤3	mV	
The input and output signal phase shift	Φ _e =5μW, V _{cc} =15V, f=1kHz, λ = 650nm	-10~10	°	

a) U_h is the output peak power of the detector at the frequency of 1KHz input light

Pin definition

PIN	Symbol	Function
1	NG	Adjust terminal
2	GND	Ground
3	NC	Suspended
4	V _{CC}	Power Voltage
5	GND	Ground
6	V _{out}	Output Pole

Dimensions



Dimension	A	B	E	e	L	D	D1	D2
Min value	13.00	16.50	-	-	10.00	-	4.50	13.50
Nominal value	-	-	10.00	2.50	-	15.24	-	-
Max value	14.00	17.50	-	-	-	-	5.50	14.50

Instructions

- The power supply voltage and bias voltage can not exceed the rated value, the bias voltage can not exceed the rated value;
- 0.1 F capacitor is necessary Between the power supply terminal and the ground;
- Keep the device dry;
- The device should be paid attention to the preservation and use of electrostatic protection.

FOG Photonics,inc
One Idealphotonics Technology Company

© 2016 FOGPhotonics Navigation & Maritime Systems

All rights reserved.

25521_022013;DS-473-JYC-0213

ePROCS: 13-0465,2013 WH Graphics

For more information, please contact:

FOGPhotonics Navigation and Maritime Systems

Add:6Flat B 607, 6/F, Jumbo Ind Bldg, 189 Wai Yip Street, Kwun Tong, KLN ,HK

Tel:(852) 30786684

Fax: (852)35902333

Email:info@fogphotonics.com

www.fogphotonics.com