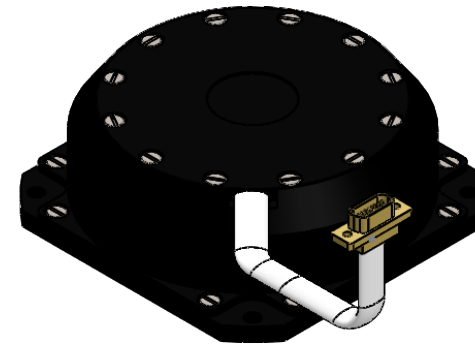
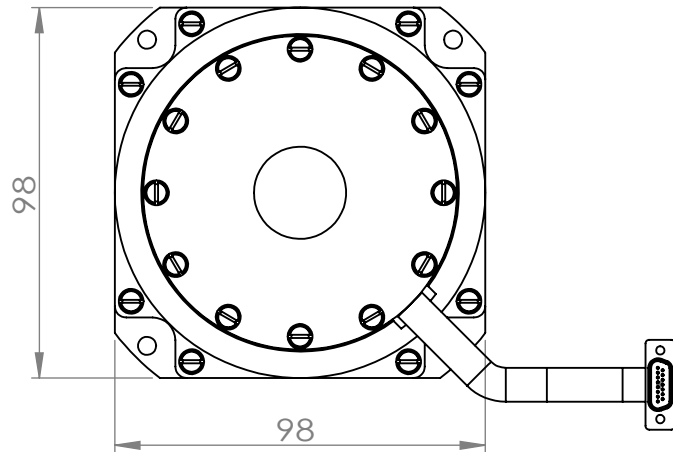
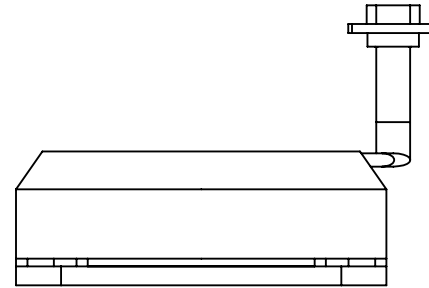
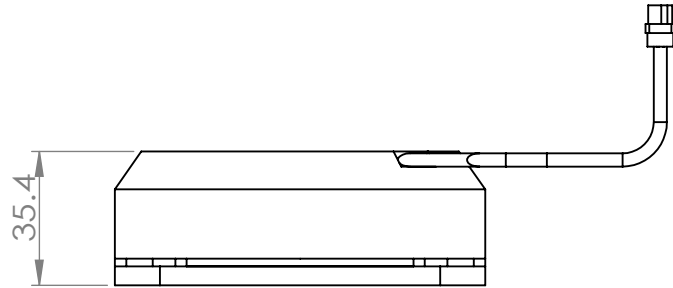


2

1

B

B



A

A

PROPRIETARY AND CONFIDENTIAL
 THE INFORMATION CONTAINED IN THIS
 DRAWING IS THE SOLE PROPERTY OF
 <INSERT COMPANY NAME HERE>. ANY
 REPRODUCTION IN PART OR AS A WHOLE
 WITHOUT THE WRITTEN PERMISSION OF
 <INSERT COMPANY NAME HERE> IS
 PROHIBITED.

		UNLESS OTHERWISE SPECIFIED:		NAME	DATE
		DIMENSIONS ARE IN INCHES	DRAWN		
		TOLERANCES:	CHECKED		
		FRACTIONAL	ENG APPR.		
		ANGULAR: MACH BEND	MFG APPR.		
		TWO PLACE DECIMAL	Q.A.		
		THREE PLACE DECIMAL	COMMENTS:		
		INTERPRET GEOMETRIC	SN:1601046		
		TOLERANCING PER:	Designed In Korea		
		MATERIAL			
		FINISH			
NEXT ASSY	USED ON				
APPLICATION		DO NOT SCALE DRAWING			

FOGPhotonics,inc		
TITLE:		
Fiber Optic Gyro		
SIZE	DWG. NO.	REV
A	FOG600S	
SCALE: 1:2	SHEET 1 OF 1	

2

1